

400 FRIBERG PARKWAY
WESTBOROUGH, MA 01581
PH: (508) 330-3300

GRAFTON_MA

20 INDIAN PATH
GRAFTON, MA 01536
EXISTING MONOPOLE

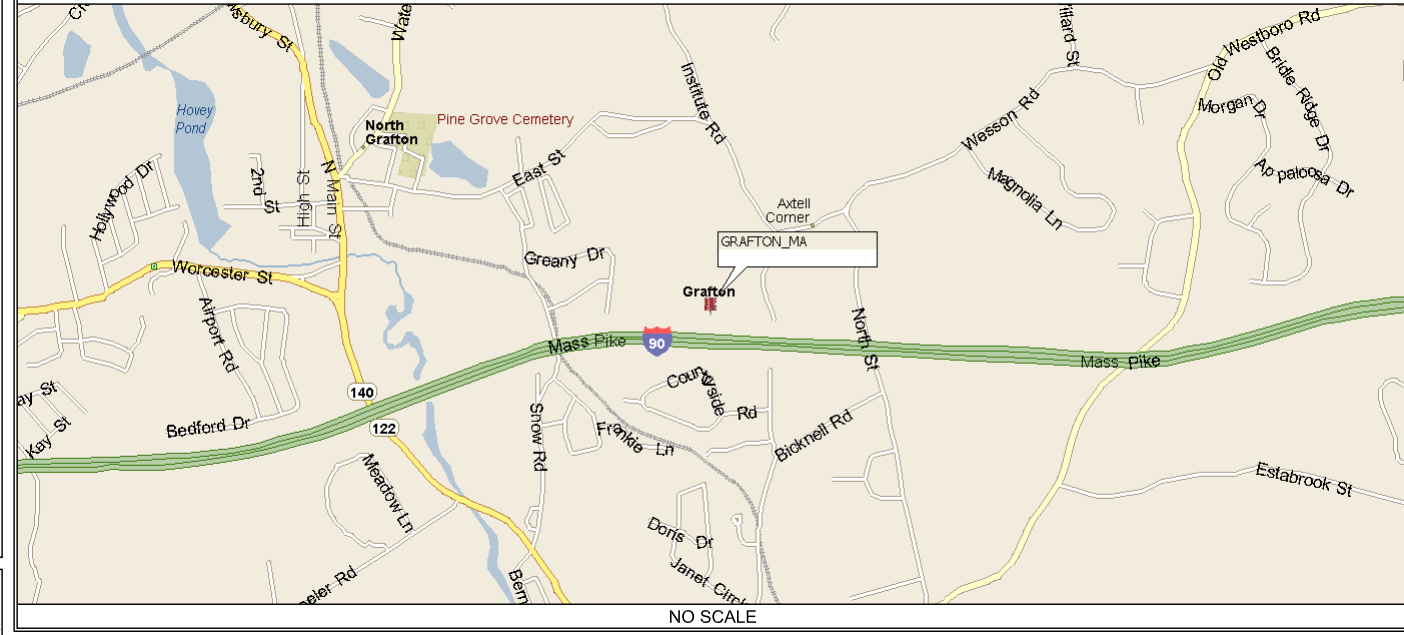
verizon

GRAFTON_MA 20 INDIAN PATH GRAFTON, MA 01536

PROJECT SUMMARY

SITE NAME: GRAFTON_MA
 SITE ADDRESS: 20 INDIAN PATH
 GRAFTON, MA 01536
 TOWER OWNER: CROWN CASTLE
 2000 CORPORATE DR
 CANONSBURG, PA 15317
 857736
 BU NUMBER:
 MAP NUMBER: 110
 LOT NUMBER: 16
 CUSTOMER/APPLICANT: VERIZON WIRELESS
 400 FRIEBERG PARKWAY
 WESTBOROUGH, MA 01581
 DAN MYZYRI
 (617) 945-7288
 CONTACT:
 NAD83
 LATITUDE: 42° 13' 42.99" N
 LONGITUDE: 71° 41' 24.10" W
 ELEVATION: 478'
 CURRENT ZONING: R2 - RESIDENTIAL
 A&E FIRM: B+T GROUP
 1717 S. BOULDER, SUITE 300
 TULSA, OK 74119
 STEVE THORNHILL
 (918) 587-4630
 OCCUPANCY TYPE: UNMANNED
 A.D.A. COMPLIANCE: FACILITY IS UNMANNED AND NOT
 FOR HUMAN HABITATION.

LOCATION MAP



DRAWING INDEX

SHEET #	SHEET DESCRIPTION	REV. #
T-1	TITLE SHEET	0
A-1	COMPOUND PLAN AND TOWER ELEVATION	0
A-2	EQUIPMENT DETAILS	0

A/E DOCUMENT REVIEW STATUS

TITLE	SIGNATURE	DATE
OWNER:		
R.F. ENGINEER:		
CONSTRUCTION MGR.:		
LEASING & ZONING:		
VERIZON WIRELESS:		

THE FOLLOWING PARTIES HEREBY APPROVE AND ACCEPT THESE DOCUMENTS AND AUTHORIZE THE CONTRACTOR TO PROCEED WITH THE CONSTRUCTION DESCRIBED HEREIN. ALL DOCUMENTS ARE SUBJECT TO REVIEW BY THE LOCAL BUILDING DEPARTMENT AND MAY IMPOSE CHANGES OR MODIFICATIONS.

DO NOT SCALE DRAWINGS

ALL DRAWINGS CONTAINED HEREIN ARE FORMATTED FOR 11x17. CONTRACTOR SHALL VERIFY ALL PLANS AND EXISTING DIMENSIONS AND CONDITIONS ON THE JOB SITE AND SHALL IMMEDIATELY NOTIFY THE ENGINEER IN WRITING OF ANY DISCREPANCIES BEFORE PROCEEDING WITH THE WORK OR BE RESPONSIBLE FOR SAME.



CALL MASSACHUSETTS ONE CALL
(888) 344-7233
CALL 3 WORKING DAYS
BEFORE YOU DIG!



CODE COMPLIANCE

ALL WORK SHALL BE PERFORMED AND MATERIALS INSTALLED IN ACCORDANCE WITH THE CURRENT EDITIONS OF THE FOLLOWING CODES AS ADOPTED BY THE LOCAL GOVERNING AUTHORITIES. NOTHING IN THESE PLANS IS TO BE CONSTRUED TO PERMIT WORK NOT CONFORMING TO THESE CODES:

CODE TYPE	CODE
BUILDING	IBC 2015
STRUCTURAL	IBC 2015
MECHANICAL	IMC 2015
ELECTRICAL	NEC 2017

DRIVING DIRECTIONS

DEPART FROM LOGAN INTERNATIONAL AIRPORT: HEAD NORTHEAST ON SERVICE ROAD [FRANKFORT ST]. TURN LEFT ONTO NEPTUNE RD [RT-145]. TAKE RAMP (LEFT) ONTO RT-1A [WILLIAM F McCLELLAN HWY]. KEEP STRAIGHT ONTO I-90 [MASS PIKE]. AT EXIT 11, TAKE RAMP ONTO SERVICE ROAD. KEEP RIGHT ONTO RAMP. BEAR RIGHT ONTO RT-122 [GRAFTON RD]. ROAD NAME CHANGES TO WORCESTER ST. TURN LEFT ONTO CARROLL RD. TURN LEFT ONTO COUNTRYSIDE RD. TURN RIGHT ONTO ACCESS ROAD AND ARRIVE AT GRAFTON_MA.

PROJECT NO: 121470.004.01
CHECKED BY: RMC

ISSUED FOR:

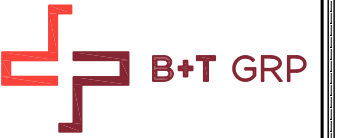
REV	DATE	DRWN	DESCRIPTION
A	10/8/18	RFC	PRELIMINARY REVIEW
0	10/12/18	RMC	CONSTRUCTION

B&T ENGINEERING, INC.



IT IS A VIOLATION OF LAW FOR ANY PERSON, UNLESS THEY ARE ACTING UNDER THE DIRECTION OF A LICENSED PROFESSIONAL ENGINEER, TO ALTER THIS DOCUMENT.

SHEET NUMBER: T-1
REVISION: 0



verizon

400 FRIBERG PARKWAY
WESTBOROUGH, MA 01581
PH: (508) 330-3300

GRAFTON_MA

20 INDIAN PATH
GRAFTON, MA 01536
EXISTING MONOPOLE

PROJECT NO: 121470.004.01
CHECKED BY: RMC

ISSUED FOR:

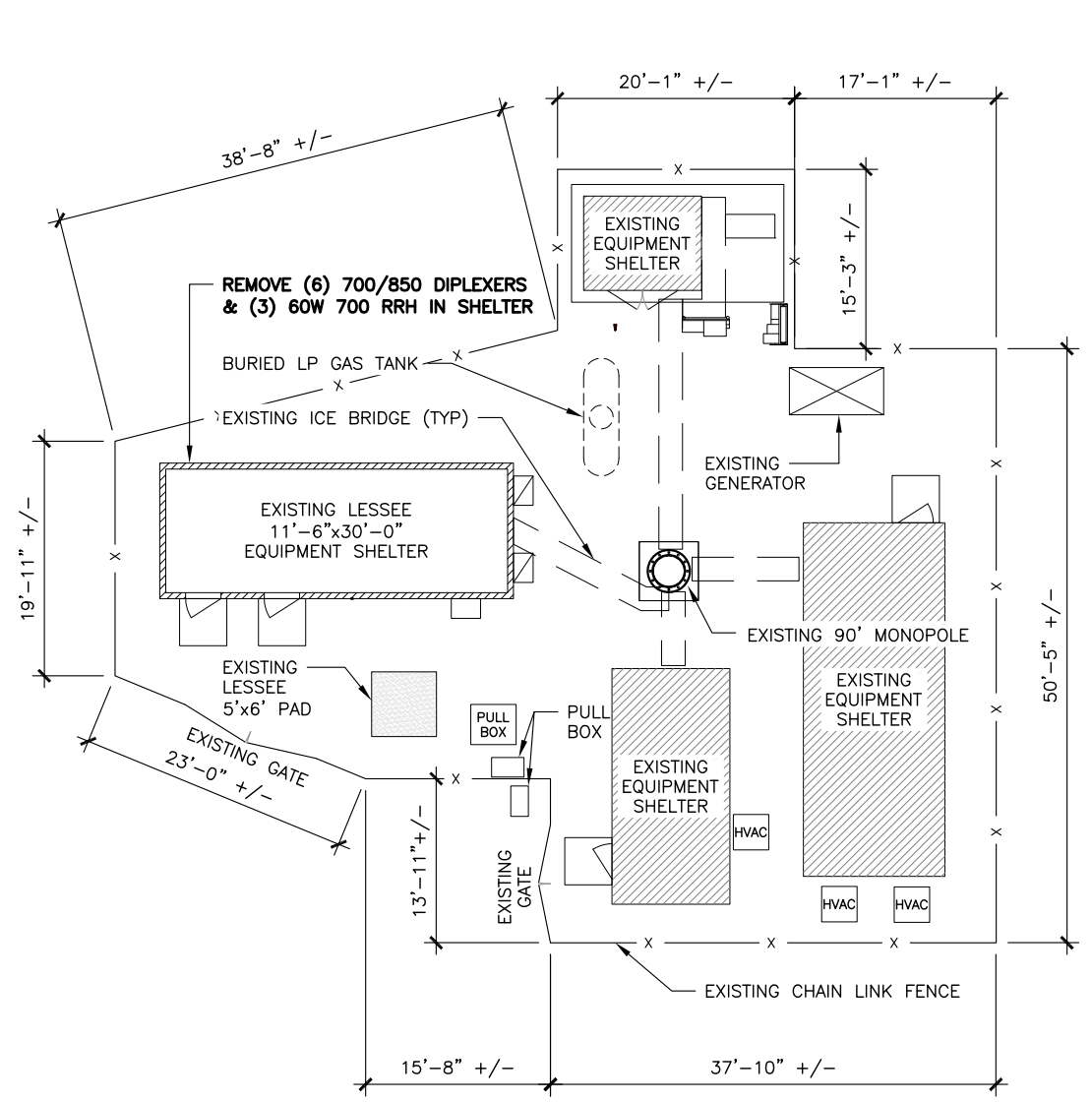
REV	DATE	DRWN	DESCRIPTION
A	10/8/18	RFC	PRELIMINARY REVIEW
0	10/12/18	RMC	CONSTRUCTION

B&T ENGINEERING, INC.

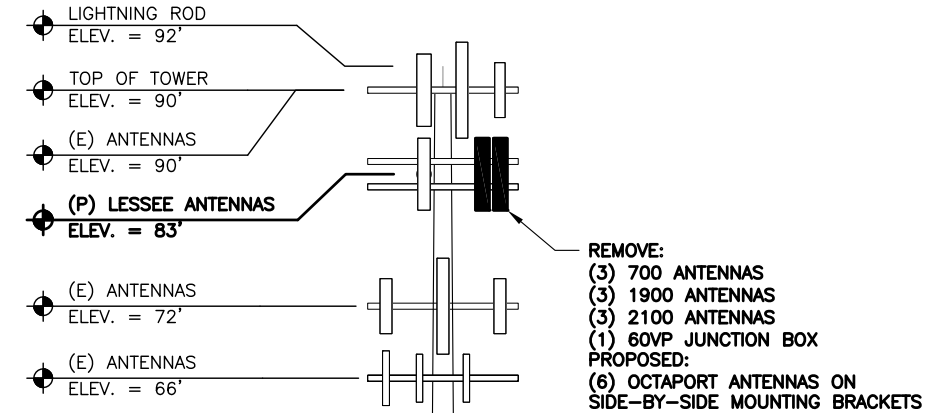


IT IS A VIOLATION OF LAW FOR ANY PERSON, UNLESS THEY ARE ACTING UNDER THE DIRECTION OF A LICENSED PROFESSIONAL ENGINEER, TO ALTER THIS DOCUMENT.

SHEET NUMBER: **A-1** REVISION: **0**



1 COMPOUND PLAN
SCALE: 0' 8' 16' 32' 48'



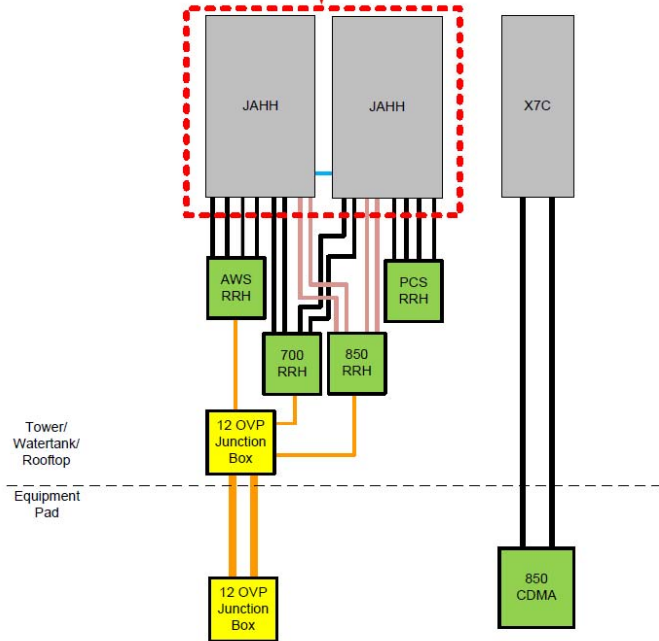
NOTES:

- CONTRACTOR TO VERIFY EXACT COAX AND ANTENNA INSTALLATION AND ANTENNA HEIGHT WITH LATEST RF DATA SHEETS PRIOR TO INSTALLATION.
- STRUCTURAL ANALYSIS DONE BY OTHERS.
- VERIZON SHALL PROVIDE A STRUCTURAL ANALYSIS OF THE TOWER PREPARED BY A LICENSED STATE STRUCTURAL ENGINEER CERTIFYING THAT THE EXISTING TOWER AND PROPOSED IMPROVEMENTS HAVE SUFFICIENT CAPACITY TO SUPPORT ALL NEW WORK THAT WILL BE DONE IN COMPLIANCE WITH THE CURRENT EDITION OF BUILDING CODES AND EIA/TIA CRITERIA. THE CONTRACTOR IS RESPONSIBLE TO CONFIRM THAT ANY AND ALL IMPROVEMENTS REQUIRED BY THE STRUCTURAL ANALYSIS CERTIFICATION ARE PROPERLY INSTALLED PRIOR TO THE ADDITION OF ANTENNAS, SUPPORTS AND APPURTENANCES PROPOSED ON THESE DRAWING OTHERWISE NOTED IN THE STRUCTURAL ANALYSIS.CAP AND WEATHERPROFF UNUSED ANTENNA PORTS.
- ESTIMATED HYBRIFLEX CABLE LENGTH: 133' (EACH RUN)

2 FINAL TOWER ELEVATION
SCALE: 0' 8' 16' 32' 48'

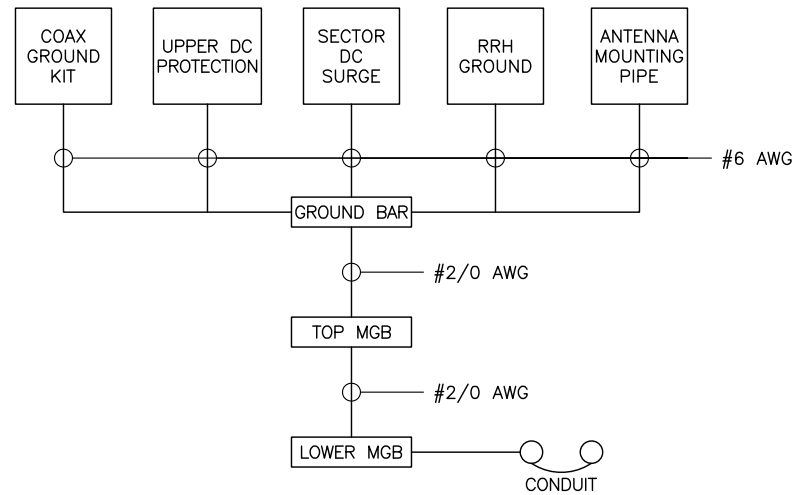
674503_857736_GRAFTON_MA_VERIZON15222157PRELIMCD_10.8.18.dwg - SheetA-1 - User: rmcclure - Oct 12, 2018 - 4:43pm

Diagram shows configuration as viewed from behind antennas BSAMNT-SBS-##
Cap and weatherproof unused antenna ports

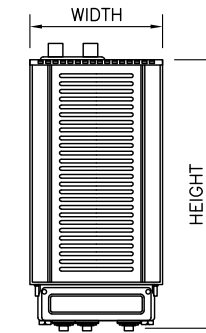


- NOTE:
1. INSTALL ALL EQUIPMENT, MOUNTING BRACKETS AND HARDWARE ACCORDING WITH MANUFACTURE'S RECOMMENDATIONS.
 2. GROUND DISTRIBUTION BOXES, MOUNTING PIPES AND RRHs IN ACCORDANCE WITH MANUFACTURE'S RECOMMENDATIONS.
 3. INSTALLED EQUIPMENT AND MOUNTING BRACKETS SHALL NOT INTERFERE WITH CLIMBING ACCESS NOR ANT INSTALLED SAFETY DEVICES.
 4. EQUIPMENT TO BE INSTALLED AT VERIZON'S RAD. CENTER IN ACCORDANCE WITH TOWER STRUCTURAL ANALYSIS (ANALYSIS BY OTHERS).

REMOTE RADIO HEAD DIMENSIONS (INCHES)				
MODEL	HEIGHT	WIDTH	DEPTH	WEIGHT
RRH 4T4R B5 AHCA	13.3"	11.6"	6.5"	36.8 LBS
B13 RRH4x30-4R	21.6"	12.0"	9.0"	57.20 LBS



- NOTE:
1. BOND ANTENNA GROUNDING KIT CABLES TO TOP CIBE.
 2. BOND ANTENNA GROUNDING KIT CABLE TO BOTTOM CIBE.
 3. TYPICAL FOR ALL SECTORS.



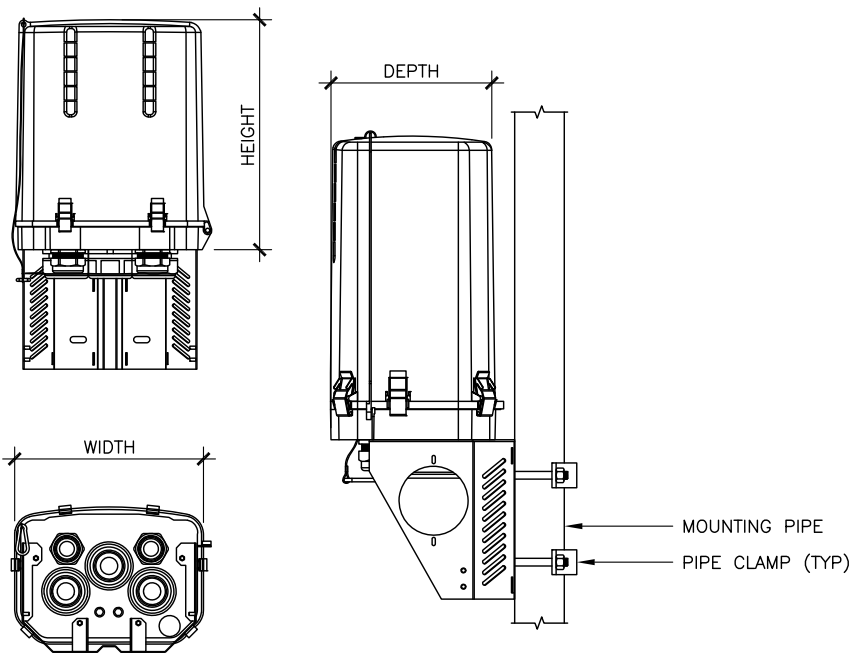
1 ANTENNA SYSTEM LAYOUT

SCALE: N.T.S.

DC SURGE SUPPRESSION DIMENSIONS (INCHES)				
MODEL	HEIGHT	WIDTH	DEPTH	WEIGHT
RVZDC-6627-PF-48	28.93"	15.73"	10.31"	32 LBS

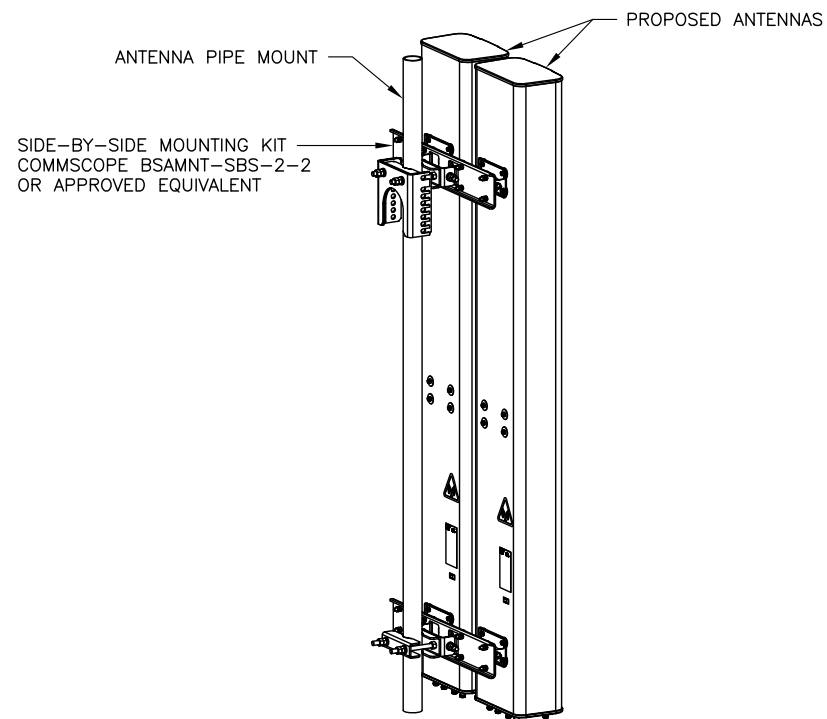
2 GROUNDING SCHEMATIC DIAGRAM

SCALE: N.T.S.



4 RAYCAP SPECIFICATIONS

SCALE: N.T.S.



5 ANTENNA MOUNTING DETAIL

SCALE: N.T.S.



400 FRIBERG PARKWAY
WESTBOROUGH, MA 01581
PH: (508) 330-3300

GRAFTON_MA

20 INDIAN PATH
GRAFTON, MA 01536
EXISTING MONOPOLE

PROJECT NO: 121470.004.01
CHECKED BY: RMC

ISSUED FOR:			
REV	DATE	DRWN	DESCRIPTION
A	10/8/18	RFC	PRELIMINARY REVIEW
0	10/12/18	RMC	CONSTRUCTION

B&T ENGINEERING, INC.



IT IS A VIOLATION OF LAW FOR ANY PERSON, UNLESS THEY ARE ACTING UNDER THE DIRECTION OF A LICENSED PROFESSIONAL ENGINEER, TO ALTER THIS DOCUMENT.

SHEET NUMBER: **A-2** REVISION: **0**